

FLAT AND LUG DUMPERS



Designed for the **tough**
Process Facility
environments

Configurable Settings
Adjustable Height
Easy To Use

Dumpers
Fully
Mobile*

*with optional locking casters

- Touch Screen Operation
- Gentle Pouring Action
- All Electric Controls
- 1, 2 & 3 Lane Models
- Can Run Any Container
- Multiple Outfeed Options



INNOTECH
Process Equipment

Parts . Sales . Service . Manufacturing

INNOTECHPROCESSEQUIPMENT.COM

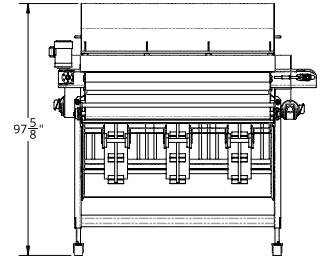
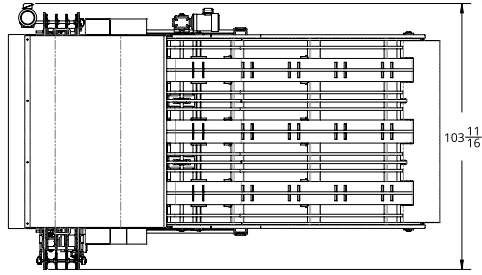
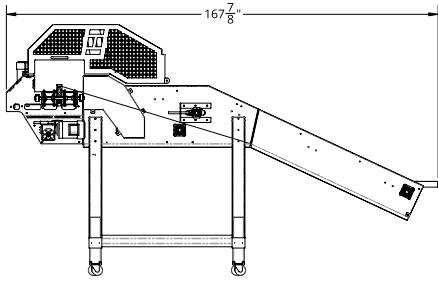
360.393.4108    



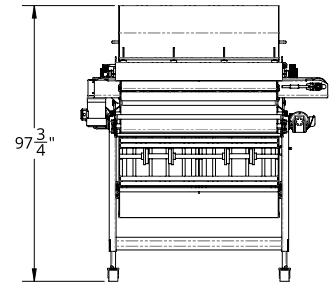
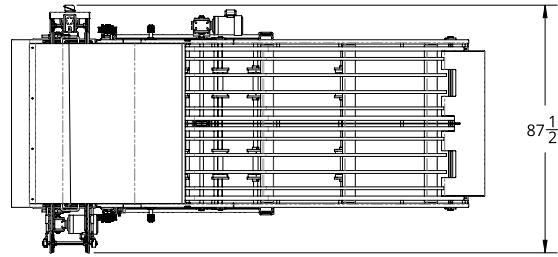
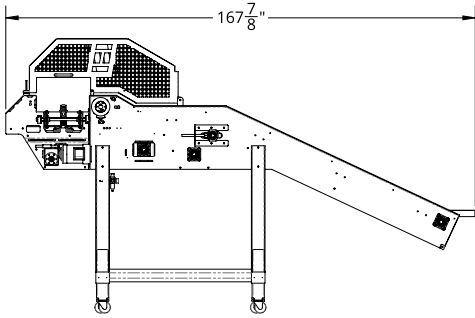
UL 508A

Industrial Control
Panel Fabricator

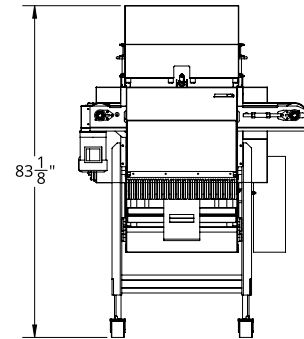
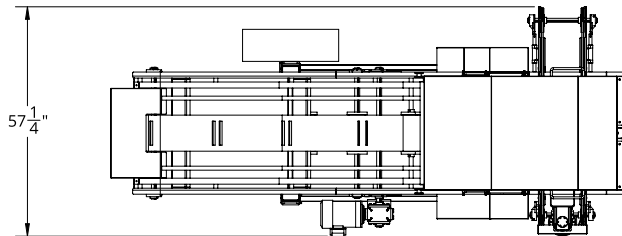
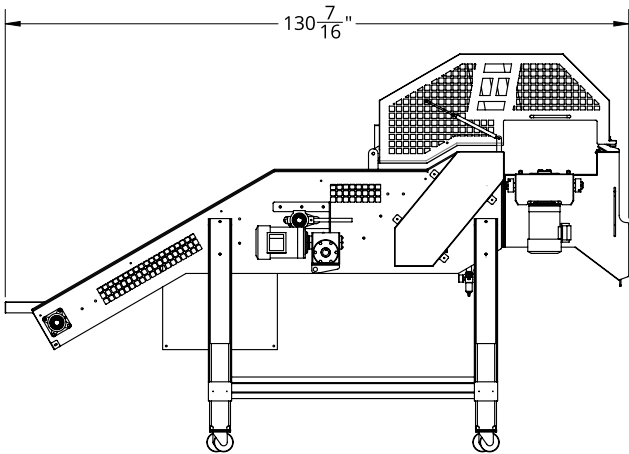
Specifications



Triple Lane Dumper



Dual Lane Dumper



Single Lane Dumper



- Process Equipment Design & Manufacturing
- Engineering & Consulting Services
- Automation & Controls
- Facility Modernization
- Maintenance & Service

INNOTECH
Process Equipment
Parts . Sales . Service . Manufacturing

INNTECHPROCESSEQUIPMENT.COM

360.393.4108     

5971 Guide Meridian
Bellingham, WA 09226
sales@innotechmetals.com

LugWashers.com

LugDumpers.com

InnotechMetals.com