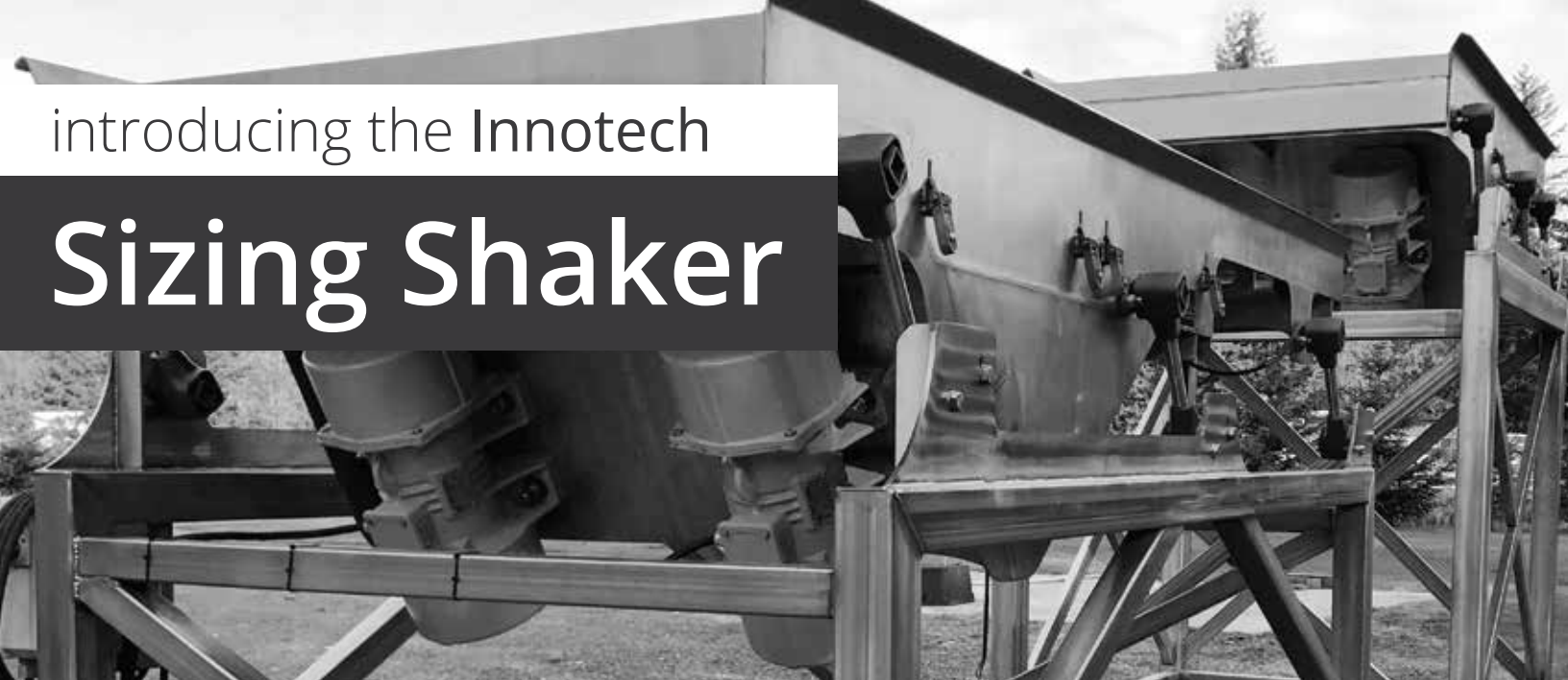


introducing the Innotech

Sizing Shaker



Features

Removable
Screens

Washdown
Components

All Stainless
Construction



RUGGED DESIGN
RELIABLE OPERATION

Designed for Small Fruit
Custom Shakers Available
Multiple Screen Size Options

INNOTECH
Process Equipment
Parts . Sales . Service . Manufacturing

INNOTECHPROCESSEQUIPMENT.COM

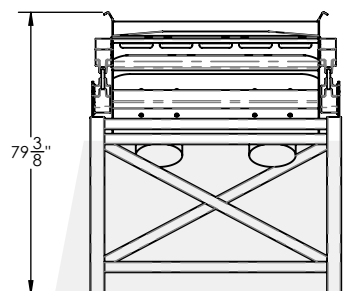
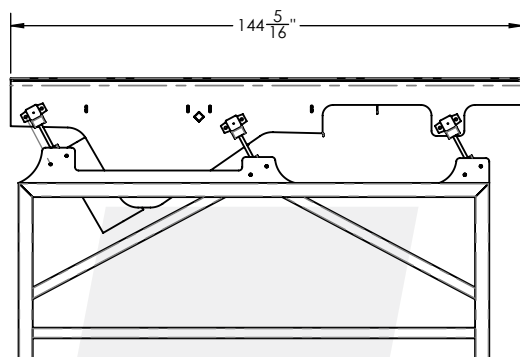
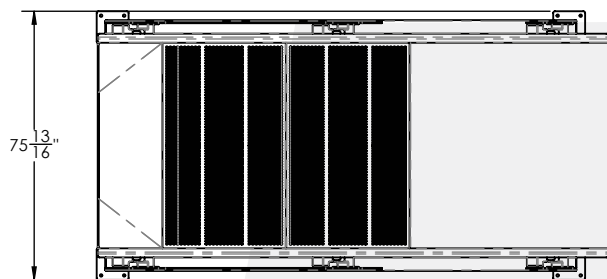


Solution Based Engineering
Superior Quality Manufacturing
Exceptional Customer Service



Specifications

Sizing Shaker



3,175LBS

- Left or right discharge
- Blanks available
- All stainless components
- Start/Stop switch
- Two 1.1HP shaker motors
- Three decks of sizing
- Custom sizes and screens available