

introducing the Innotech

Blueberry Washer



Features

Quick Change
Spray Nozzles

Stainless
Pump

All Stainless
Construction



BLUEBERRY
BUBBLE WASHER

Stainless Blower with VFD
Air Bubbler for Washing
Wire Mesh or Modular Belting

INNOTECH
Process Equipment
Parts . Sales . Service . Manufacturing

INNOTECHPROCESSEQUIPMENT.COM

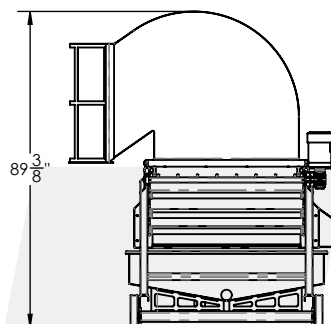
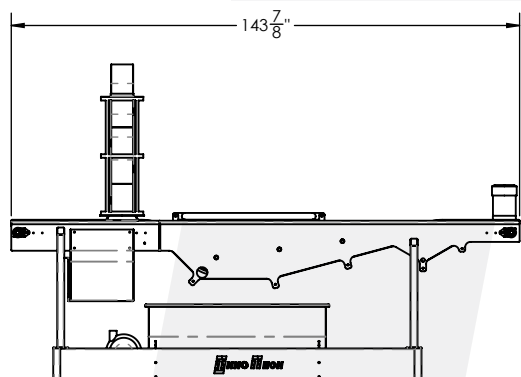
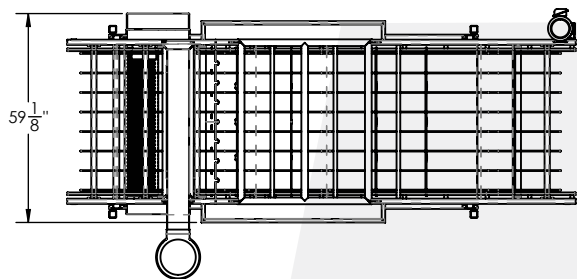


Solution Based Engineering
Superior Quality Manufacturing
Exceptional Customer Service



Specifications

Blueberry Washer



1,529LBS

- Stainless blower with VFD
- 110V controls on conveyor
- Air bubbler for washing
- Wire mesh or modular belting
- Spray bars for washing
- Stainless pump
- Fine mesh for water recycle
- Catch hopper for water from belt
- Access door on snorkle for cleaning
- All stainless components

Options:

- Stick Eliminator
- Pump sizes / speeds