

BLOWER CLEANER



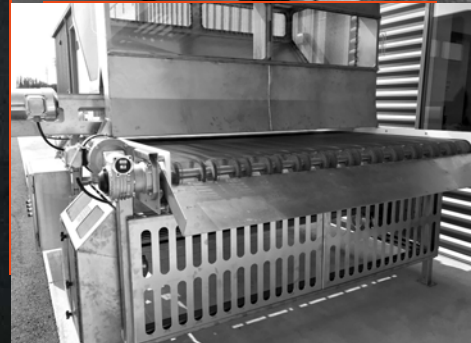
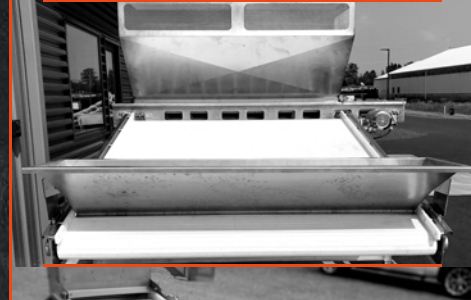
Designed for the **tough**
Process Facility
environments

Height **Adjustable**
Washdown **Components**
All Stainless **Construction**

OPTIONS

- Many blower sizes available
- Multiple power options
- Custom design services available

Stainless
Blower
with VFD



INNOTECH

Process Equipment
Parts . Sales . Service . Manufacturing

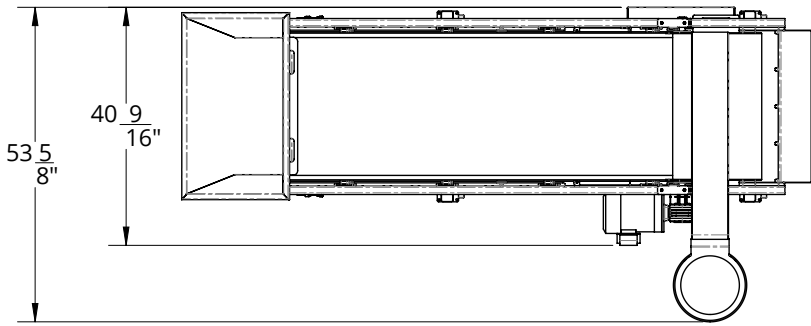
INNOTECHPROCESSEQUIPMENT.COM

360.393.4108    

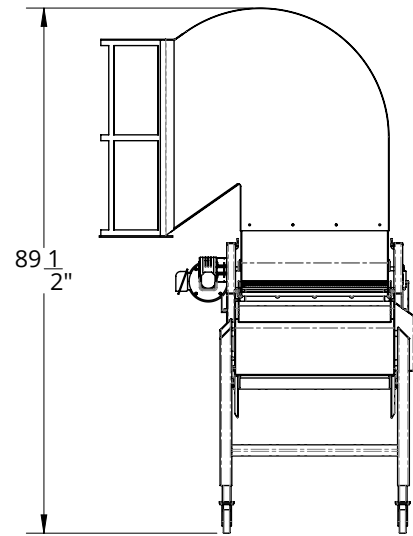
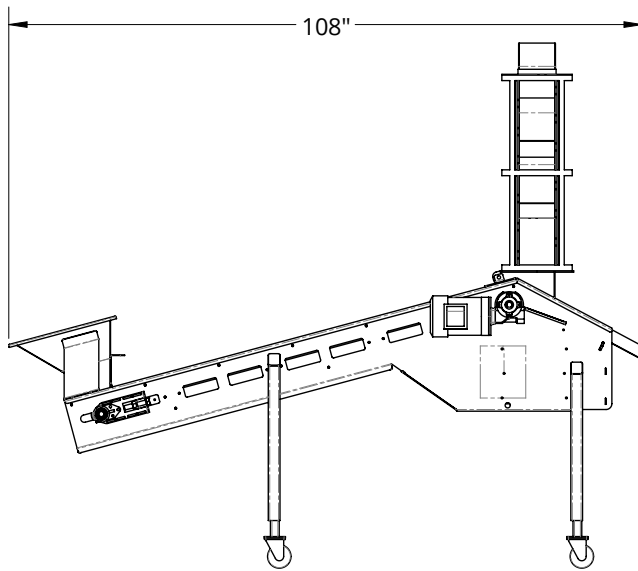


UL 508A
Industrial Control
Panel Fabricator

Specifications



2,890LBS



- Stainless blower with VFD
- Wire mesh and modular belting
- Removable screens

- Cross conveyor for debris removal
- Metering hopper
- All stainless components



- Process Equipment Design & Manufacturing
- Engineering & Consulting Services
- Automation & Controls
- Facility Modernization
- Maintenance & Service

INNOTECH
Process Equipment
Parts . Sales . Service . Manufacturing

INNOTECHPROCESSEQUIPMENT.COM

360.393.4108



5971 Guide Meridian
Bellingham, WA 09226
sales@innotechmetals.com

LugWashers.com

LugDumpers.com

InnotechMetals.com