

CONTAINER WASHER



Options:

- Sanitizing Chamber
- Hot Water Provisions
- Container Stacker
- Blower / Air Knives
- Automated Operation
- Lug Rotator
- Return Conveyor
- Touch Screen
- VFD's

Designed for the **tough**
Process Facility
environments

Adjustable
Side & Top
Guides | 16" - 28" W
5" - 18" H

- All Stainless Components
- 180 US Gallon Reservoir
- Recirculating Water System
- Removable Bulk Filter Screen
- Washdown Motors & Bearings



Height
Adjustable

We can customize your equipment to nearly any range you need.



Interchangeable
Nozzles

Various spray pattern nozzle options available.



Washers
Fully Mobile

Optional locking casters for facilities requiring mobile washers.



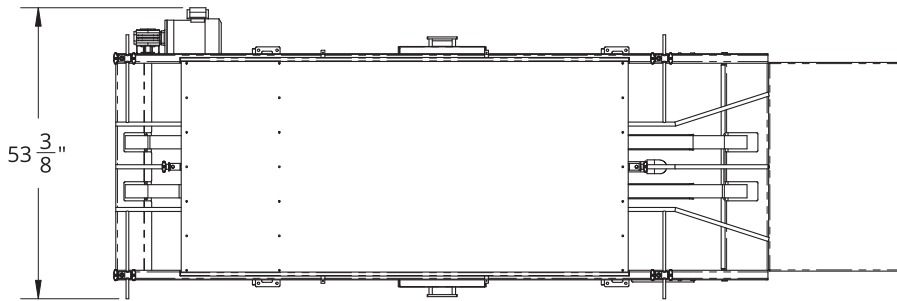
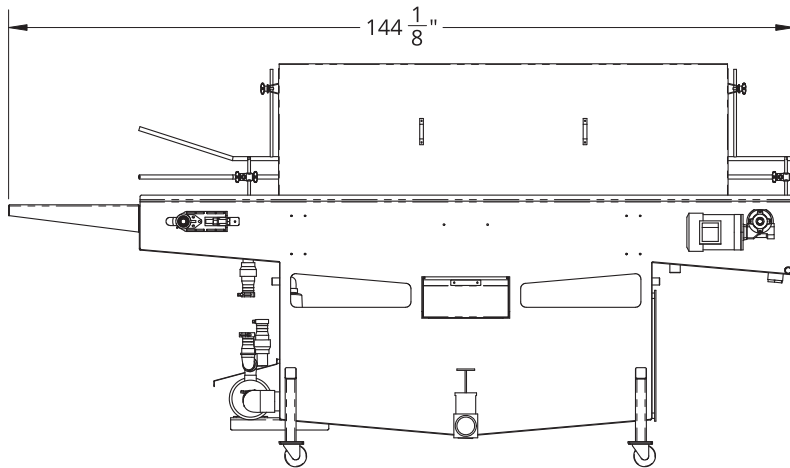
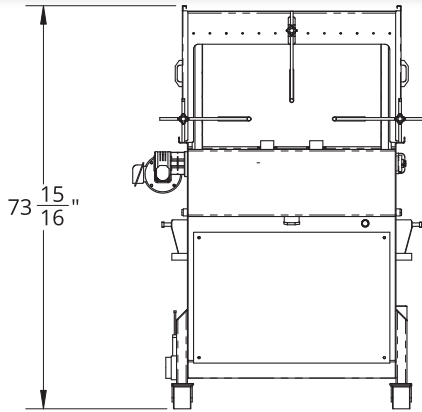
Lift-Off
Side Panels

Removable side panels for easy cleaning and nozzle changes.

 **INNOTECH**

InnotechProcessEquipment.com

Specifications



- Various available power source configurations
- VFD for conveyor
- 180 US Gallon reservoir capacity
- Convenient 3" stainless water drain spout
- Float valve for tank
- All stainless components
- Cogged belt for container transfer
- Removable side panels for easy access to nozzles
- High Efficiency Quick Mount flat spray nozzles
- Available nozzles rated from 20 to 100 PSI
- Completely mobile (with optional casters)
- Removable bulk filter screen
- Nozzles have quick-change tips for cleaning
- Sanitize chamber with manifold

Options:

- Dosetron pumps for sanitizing
- Lug rotator
- Return conveyor
- Washdown locking casters

For more information:



1,645LBS

- Process Equipment Design & Manufacturing
- Engineering & Consulting Services
- Automation & Controls
- Facility Modernization
- Maintenance & Service



508A
INDUSTRIAL CONTROL
PANEL FABRICATOR



5971 Guide Meridian
Bellingham, WA 09226
sales@innotechmetals.com

LugDumpers.com
LugWashers.com
InnotechMetals.com
InnotechProcessEquipment.com