

introducing the Innotech

# Incline Destemmer



## Features

Start - Stop or  
VFD Controlled

Simple to  
Operate

All Stainless



RUN MULTIPLE  
UNITS SIDE BY SIDE

Designed for Frozen Berries  
Easy to Clean . Modular Auger  
Robust . Reliable . Low Maintenance

**INNOTECH**  
Process Equipment  
Parts . Sales . Service . Manufacturing

[INNOTECHPROCESSEQUIPMENT.COM](http://INNOTECHPROCESSEQUIPMENT.COM)

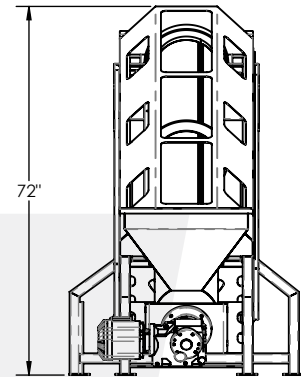
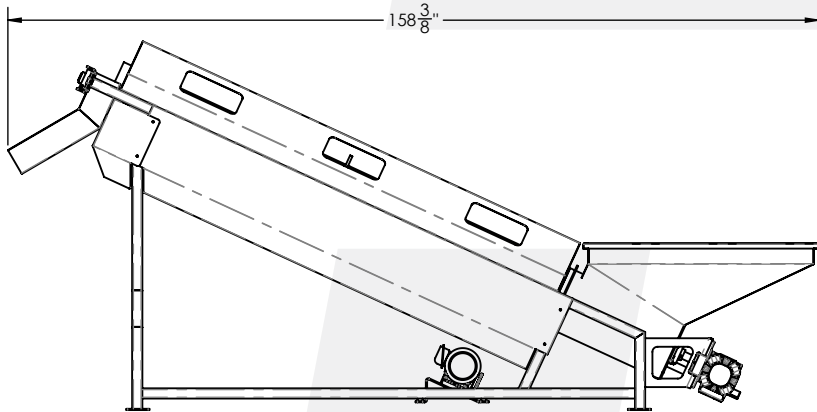
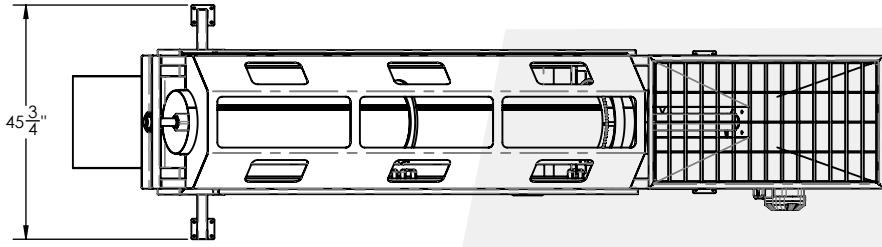


Solution Based Engineering  
Superior Quality Manufacturing  
Exceptional Customer Service



# Specifications

# Incline Destemmer



983LBS

- Capable of 10,000 lbs/hr
- Entire unit height adjustable
- All stainless components
- Start/Stop switch
- VFD for variable speed rotation (optional)
- Casters (optional)
- Single side brushes
- Dual side brushes (optional)