

introducing the Innotech

Dewatering Shaker



Features

Engineered for Small Fruit & Vegetables

Height Adjustable

All Stainless Construction



SOLID & DURABLE
CONSTRUCTION

Available Sizer Screen
Removable Screen & Hopper
Custom Shakers Available

INNOTECH
Process Equipment
Parts . Sales . Service . Manufacturing

INNOTECHPROCESSEQUIPMENT.COM

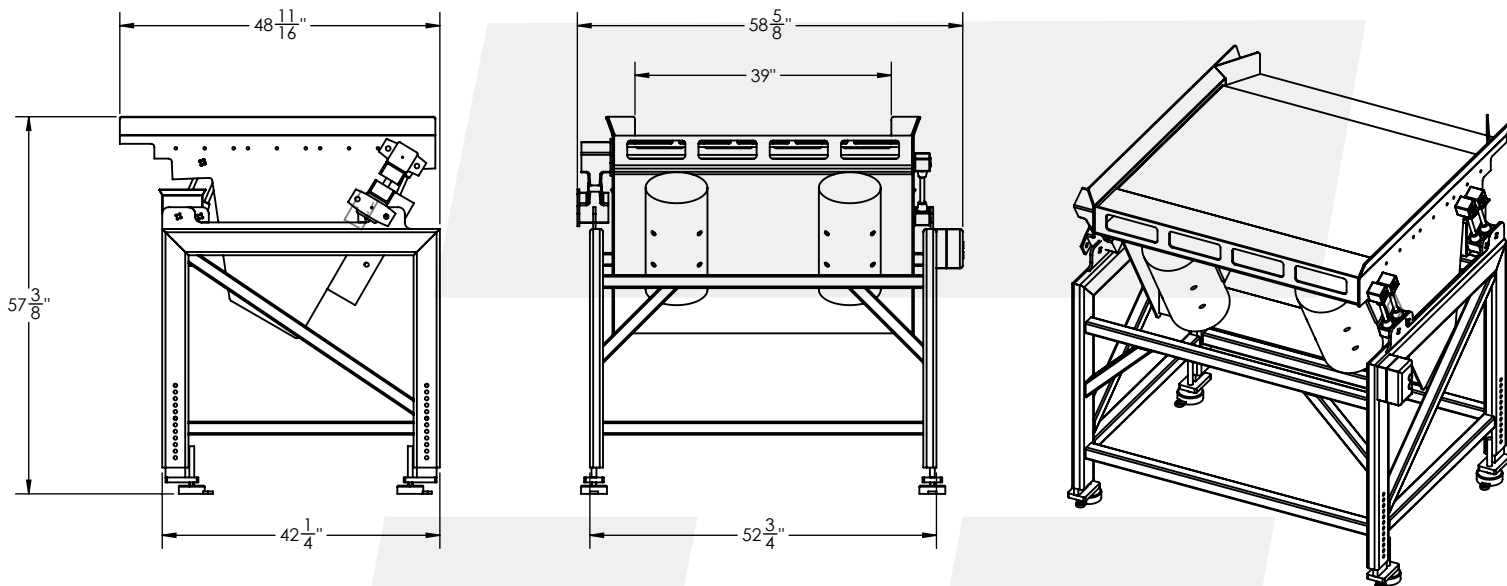


Solution Based Engineering
Superior Quality Manufacturing
Exceptional Customer Service



Specifications

Dewatering Shaker



1,278LBS

- Replaceable screen can be used as sizer
- Entire unit height adjustable (fine and coarse)
- All stainless components
- Start/Stop switch
- Removable water collection hopper
- Water can be collected versus dumping
- Hopper can be used for fines removal
- Custom shakers available